

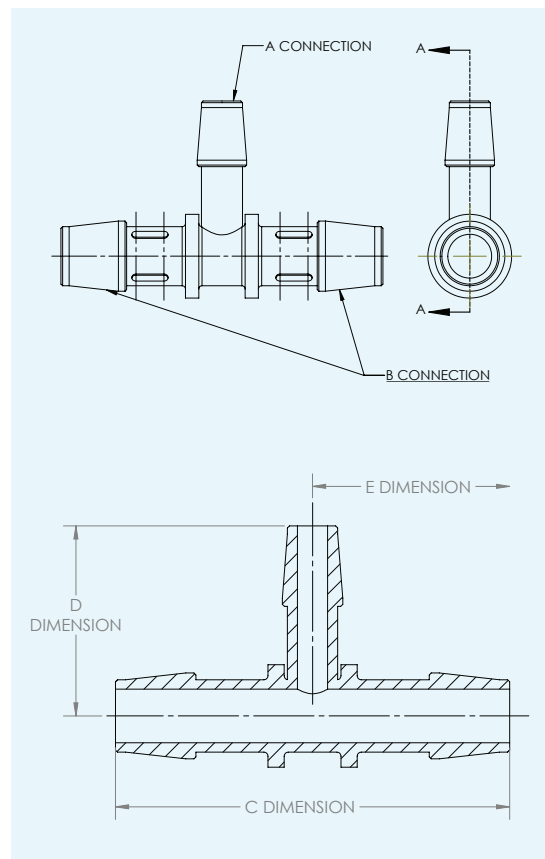


## Hose Barb Tees

Contour BioSolutions' Polypropylene Tees for Bioprocessing and Pharmaceutical Industries

In industries like bioprocessing and pharmaceuticals, where stringent sterility requirements are necessary for product quality and to meet federal regulations, the right components are essential for any production process. Our tees and all of the products and parts from Contour BioSolutions are designed and treated for optimal sterility and are USP Class VI compliant.

Polypropylene tees from Contour BioSolutions are designed with Tri-Clamp® Connections for a secure fit. Tees are available in 1/8-inch through 1/2-inch sizes. All products are lot traceable, labeled, BPE compliant and certified animal-derived ingredient free. The tees are gamma-safe and ready for sterilization.



### Hose Barb Tee Specifications

Part Number	Description	Connection		Dimensions		
		A	B	C	D	E
T-HBPP0125	Tee, 1/8" hose barb in Polypropylene	1/4"	1/8"	1.94	0.68	0.97
T-HBPP0025	Tee, 1/4" hose barb in Polypropylene	1/2"	3/8"	2.368	1.125	1.174
T-HBPP0375	Tee, 3/8" hose barb in Polypropylene	3/8"	1/4"	1.96	0.945	0.98
T-HBPP0050	Tee, 1/2" hose barb in Polypropylene	3/4"	1/2"	3.32	1.32	1.65